

1½ TO 5 TONS

MULTI-POSITION AIR HANDLER WITH NEW SMARTFRAME™ CONSTRUCTION

Standard Features

- Direct-drive, multi-speed motor
- Internal factory-mounted TXV valve
- Transformer and blower time-delay on all units
- All-Aluminum coil
- Easy single-bulb UV light compatibility
- Cabinet air leakage less than 2.0% at 1.0 inch H₂O when tested in accordance with ASHRAE standard 193
- Cabinet air leakage less than 1.4% at 0.5 inch H₂O when tested in accordance with ASHRAE standard 193
- AHRI Certified; ETL Listed

Cabinet Features

- New rigid SmartFrame™ cabinet
- 21" depth for easy attic access
- Galvanized, leather grain-embossed finish
- Foil-faced insulation covers the entire blower case to reduce operating sound and cabinet condensation
- Glue-less cabinet insulation retention
- Screw-less sides & back prevents condensation
- Multi-position capability:
upflow, downflow, horizontal or vertical
- Coil-mounting track for quick repositioning
- Tool-less filter access (washable filters available)
- Easily convertible 4-way design
- Multiple electrical knockouts
- Heavy-gauge bottom plate

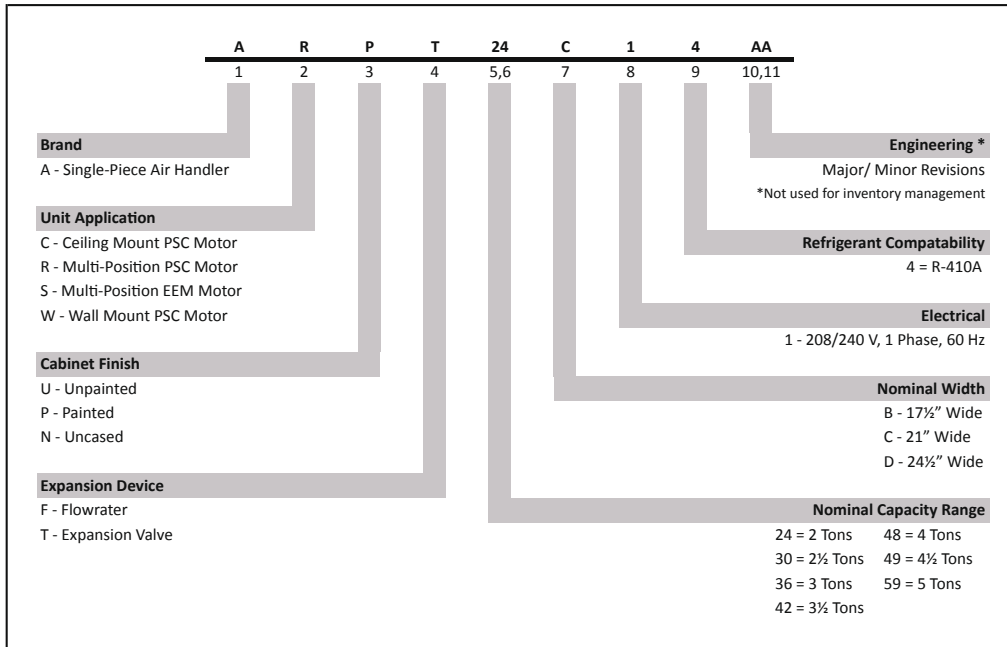


Contents

Nomenclature	2
Product Specifications	3
Dimensions	4
Airflow Data	5
Heat Kit Match-Ups	6
Wiring Diagram	7
Accessories	8



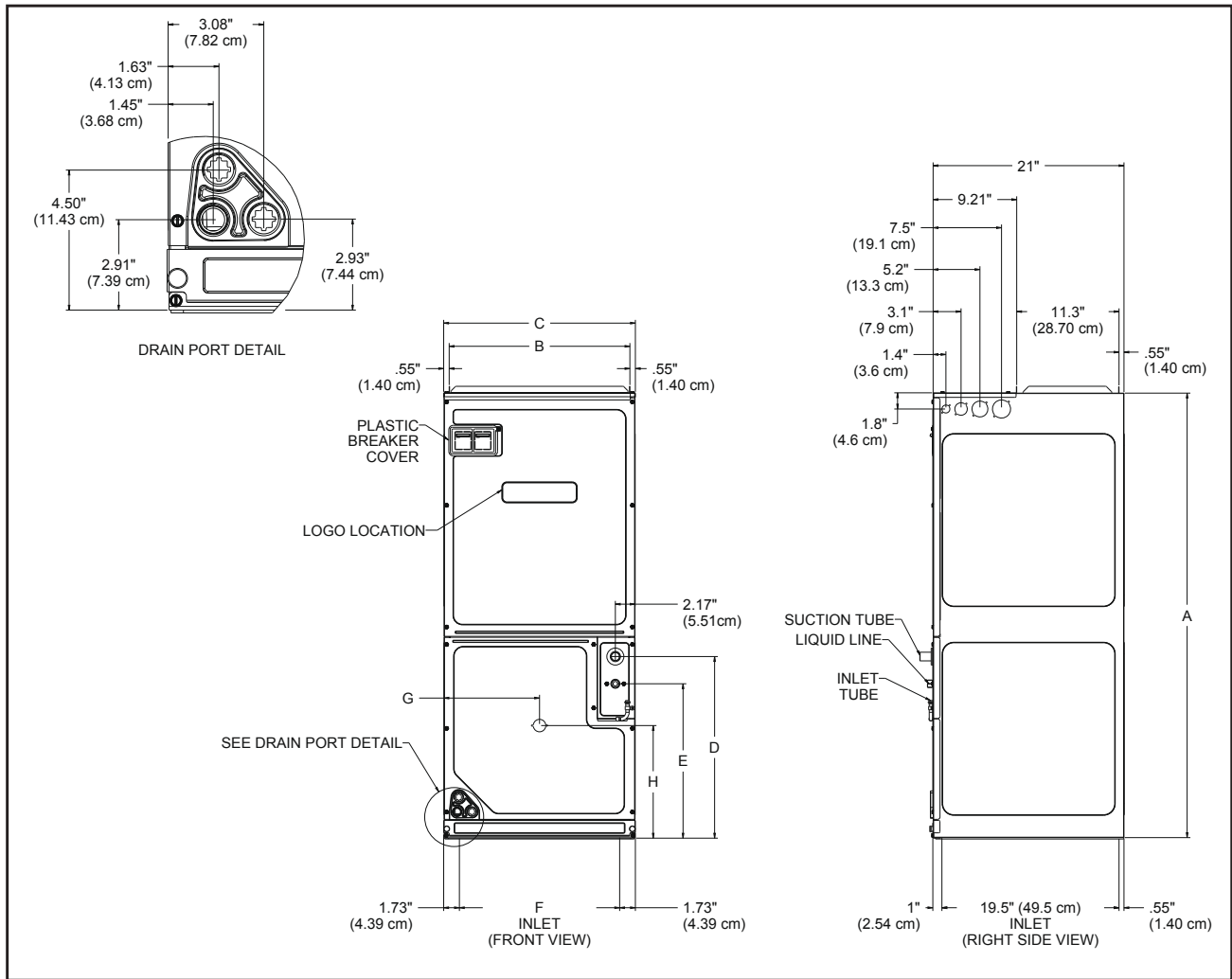
NOMENCLATURE



SPECIFICATIONS

	ARPT 18B14*	ARPT 24B14*	ARPT 30B14*	ARPT 36C14*	ARPT 36D14*	ARPT 42D14*	ARPT 48D14*	ARPT 60D14*
NOMINAL RATINGS								
Cooling (BTU/h)	18,000	24,000	30,000	36,000	36,000	42,000	48,000	60000
Blower								
Diameter	9½"	9½"	9½"	10⅝"	10⅝"	10⅝"	11 15/16"	11 15/16"
Width	6"	6"	6"	8"	10⅝"	10⅝"	10⅝"	10⅝"
Coil Drain Connect FPT	3/4"	3/4"	3/4"	3/4"	3/4"	3/4"	3/4"	3/4"
REFRIGERANT LINE CONNECTION SIZE								
Liquid	3/8"	3/8"	3/8"	3/8"	3/8"	3/8"	3/8"	3/8"
Suction	3/4"	3/4"	3/4"	7/8"	7/8"	7/8"	7/8"	7/8"
ELECTRICAL DATA								
Voltage	208/230	208/230	208/230	208/230	208/230	208/230	208/230	208/230
Min Circuit Ampacity	3/3	3/3	3/3	4/4	4/4	5/5	5/5	6/6
Max. Overcurrent Device (amps)	15/15	15/15	15/15	15/15	15/15	15/15	15/15	15/15
Min. / Max VAC	197/ 253	197/ 253	197/ 253	197/253	197/ 253	197/ 253	197/ 253	197/ 253
Blower Motor FLA/ HP	1.9/ ¼	1.9/ ¼	1.9/ ¼	3.1/ ¼	3.0/ ½	3.5/ ½	3.5/ ½	4.6/ ¼
SHIP WEIGHT (LBS)								
	99	99	110	130	130	147	157	159

DIMENSIONS



MODEL	A"	B"	C"	D"	E"	F"	G"	H"
ARPT18B14*	45	16 ³ / ₁₆	17 ¹ / ₂	18	15	14 ³ / ₁₆	8 ¹³ / ₁₆	11 ¹⁵ / ₁₆
ARPT24B14*	45	16 ³ / ₁₆	17 ¹ / ₂	18	15	14 ³ / ₁₆	8 ¹³ / ₁₆	11 ¹⁵ / ₁₆
ARPT30B14*	45	16 ³ / ₁₆	17 ¹ / ₂	18	15	14 ³ / ₁₆	8 ¹³ / ₁₆	11 ¹⁵ / ₁₆
ARPT36C14*	49	19 ¹⁵ / ₁₆	21	20	17	17 ¹¹ / ₁₆	10 ¹ / ₂	12 ³ / ₈
ARPT36D14*	58	23 ³ / ₁₆	24 ¹ / ₂	28 ³ / ₁₆	25 ³ / ₁₆	21 ³ / ₁₆	12 ⁵ / ₁₆	12 ³ / ₈
ARPT42D14*	58	23 ³ / ₁₆	24 ¹ / ₂	28 ³ / ₁₆	25 ³ / ₁₆	21 ³ / ₁₆	12 ⁵ / ₁₆	12 ³ / ₈
ARPT48D14*	58	23 ³ / ₁₆	24 ¹ / ₂	28 ³ / ₁₆	25 ³ / ₁₆	21 ³ / ₁₆	12 ⁵ / ₁₆	12 ³ / ₈
ARPT60D14*	58	23 ³ / ₁₆	24 ¹ / ₂	28 ³ / ₁₆	25 ³ / ₁₆	21 ³ / ₁₆	12 ⁵ / ₁₆	12 ³ / ₈

AIRFLOW DATA

MODEL	BLOWER SPEED	STATIC PRESSURE (IN W.C) AIRFLOW (CFM)						
		0.1	0.2	0.3	0.4	0.5	0.6	0.7
ARPT18B14	High	1,185	1,125	1,065	1,010	985	910	780
	Medium	900	850	825	785	715	670	610
	Low	630	605	560	525	495	445	355
ARPT24B14	High	1,185	1,125	1,065	1,010	985	910	780
	Medium	900	850	825	785	715	670	610
	Low	630	605	560	525	495	445	355
ARPT30B14	High	1,145	1,085	1,020	950	900	845	765
	Medium	870	820	775	745	705	655	580
	Low	615	585	565	535	490	435	345
ARPT36C14	High	1,580	1,515	1,445	1,395	1,345	1,240	1,155
	Medium	1,385	1,350	1,300	1,250	1,170	1,095	1,005
	Low	1,260	1,205	1,175	1,105	1,040	975	865
ARPT36D14	High	1,815	1,770	1,705	1,640	1,555	1,450	1,355
	Medium	1,580	1,525	1,485	1,420	1,350	1,275	1,165
	Low	1,220	1,180	1,140	1,085	1,030	950	865
ARPT42D14	High	1,990	1,915	1,810	1,765	1,690	1,585	1,435
	Medium	1,655	1,605	1,555	1,480	1,295	1,200	1,060
	Low	1,480	1,420	1,350	1,290	1,185	1,100	1,045
ARPT48D14	High	1,960	1,905	1,845	1,780	1,715	1,645	1,570
	Medium	1,600	1,545	1,495	1,435	1,360	1,290	1,215
	Low	1,395	1,340	1,280	1,220	1,150	1,090	1,020
ARPT60D14	High	2,205	2,140	2,080	2,010	1,945	1,870	1,795
	Medium	1,985	1,935	1,865	1,815	1,755	1,695	1,635
	Low	1,600	1,555	1,505	1,455	1,405	1,345	1,295

NOTES

1. Airflow data indicated is at 230V without air filter in place.
2. The chart is for information only. For satisfactory operation, external static pressure must not exceed value shown on rating plate. The shaded area indicates ranges in excess of maximum recommended design external static pressure.
3. Use the CFM adjustment factors of 0.98 for horizontal left and 0.96 for horizontal right & downflow orientations

HEAT KIT APPLICATIONS

MODEL	ARPT 18B14-A*	ARPT 24B14-A*	ARPT 30B14-A*	ARPT 36C14-A*	ARPT 36D14-A*	ARPT 42D14-A*	ARPT 48D14-A*	ARPT 60D14-A*
HKSX03XC*	X	X	X	X	X	X	X	X
HKSX05XC*	X	X	X	X	X	X	X	X
HKSX06XC*	X	X	X	X	X	X	X	X
HKSX08XC*	X	X	X	X	X	X	X	X
HKSX10XC*	X	X	X	X	X	X	X	X
HKSC05XC*	X	X	X	X	X	X	X	X
HKSC08XC*	X	X	X	X	X	X	X	X
HKSC10XC*	X	X	X	X	X	X	X	X
HKSC15XA*	---	---	X	X	X	X	X	X
HKSC15XB*	---	---	X	X	X	X	X	X
HKSC19CA*	---	---	---	X	---	---	---	---
HKSC19CB*	---	---	---	X	---	---	---	---
HKSC20DA*	---	---	---	---	X	X	X	X
HKSC20DB*	---	---	---	---	X	X	X	X

* Revision level that may or may not be designated

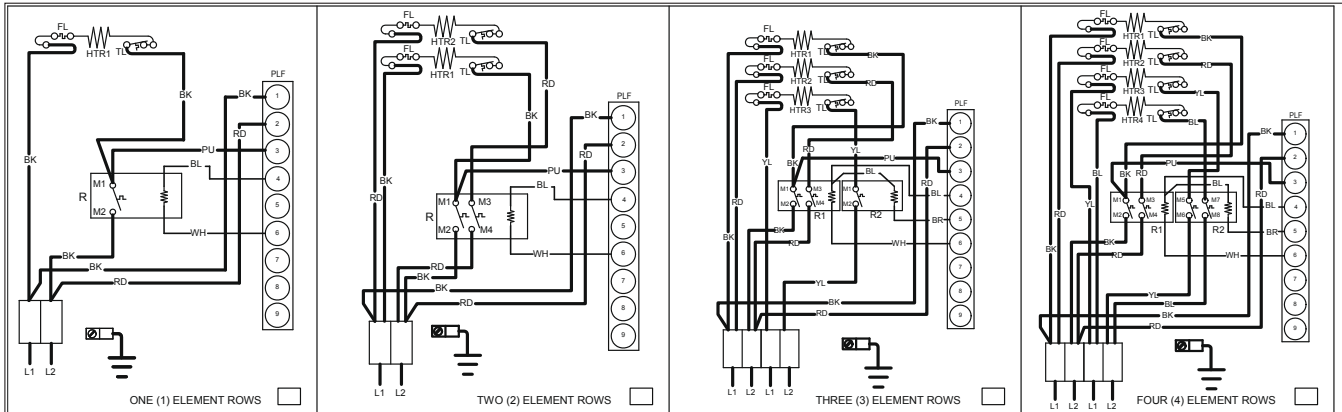
Note: Refer to the minimum airflow requirements for each of the heat kits

SINGLE-POINT KIT **

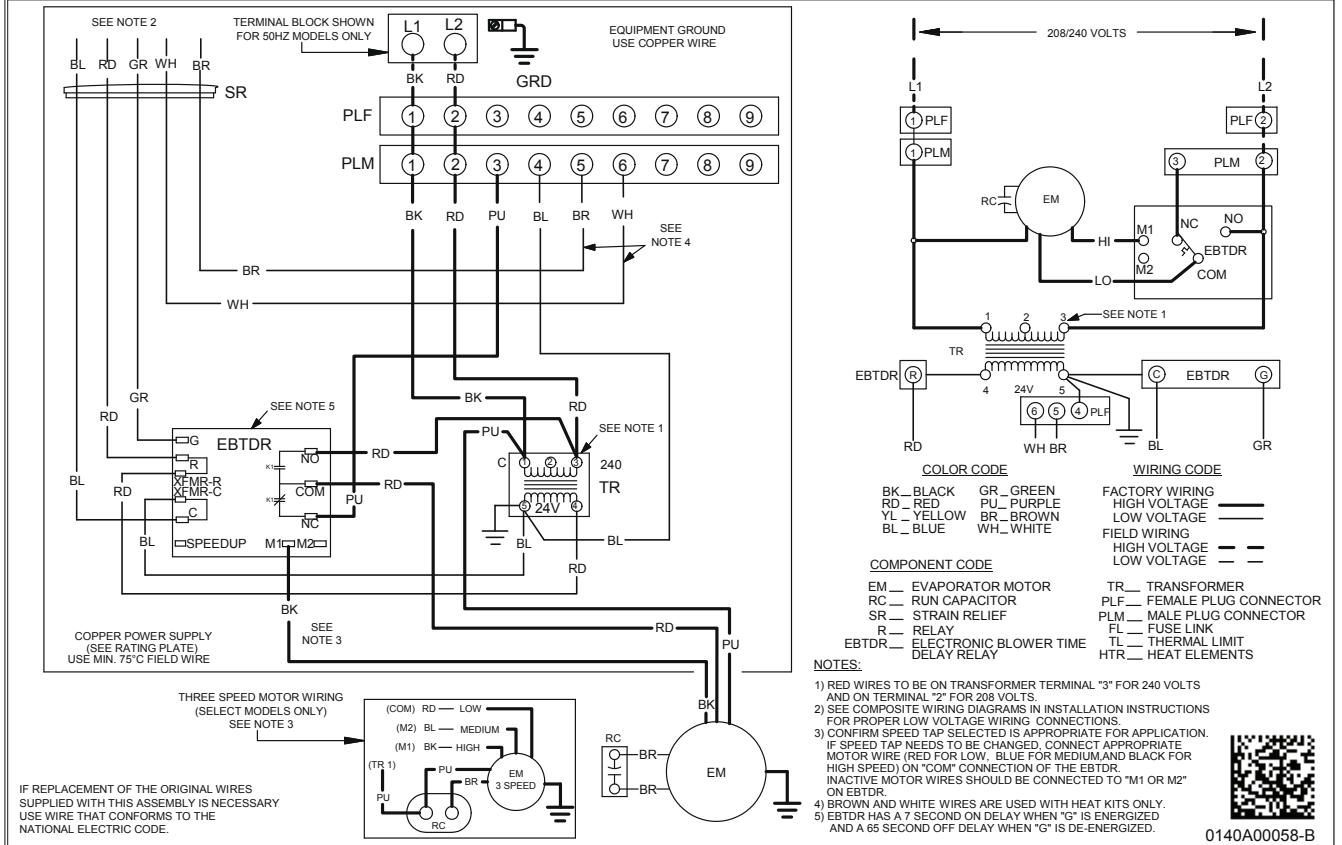
MODEL	HKSC15X*	HKSC19**	HKSC20**
SPW-01	X	X	X

** Must be installed along with any of the above compatible heat kits. This kit will fit any ARPT air handler as long as a compatible heat kit is installed in the unit.

WIRING DIAGRAM



NOTE: WHEN INSTALLING HEATER KIT, ENSURE SPEED TAP IS NOT BELOW MINIMUM BLOWER SPEED (MBS) SPECIFIED FOR THE AIR HANDLER/HEATER KIT COMBINATION ON THIS UNIT'S SERIAL PLATE. AFTER INSTALLING OPTIONAL HEAT KIT, MARK AN "X" IN THE PROVIDED ABOVE. MARK ACCORDING TO THE NUMBER OF HEATER ELEMENT ROWS INSTALLED. NO MARK INDICATES NO HEAT KIT INSTALLED. 5 ELEMENT ROWS DATA SUPPLIED WITH HEATER KIT.



0140A00058-B

Wiring is subject to change. Always refer to the wiring diagram or the unit for the most up-to-date wiring.

WARNING

High Voltage: Disconnect all power before servicing or installing this unit. Multiple power sources may be present. Failure to do so may cause property damage, personal injury, or death.

ACCESSORIES

DOWNFLOW INSULATION KIT

DPI-B	DPI-C	DPI-D
ARPT18B14**	ARPT36C14**	ARPT36D14**
ARPT24B14**		ARPT42D14**
ARPT30B14**		ARPT48D14**
		ARPT60D14**

FILTERS

CHASSIS	PART #	SIZE
B	ALFH16201E	16.0" x 20.0"
C	ALFH1912201E	19.5" x 20.0"
D	ALFH20231E	23.0" x 20.0"